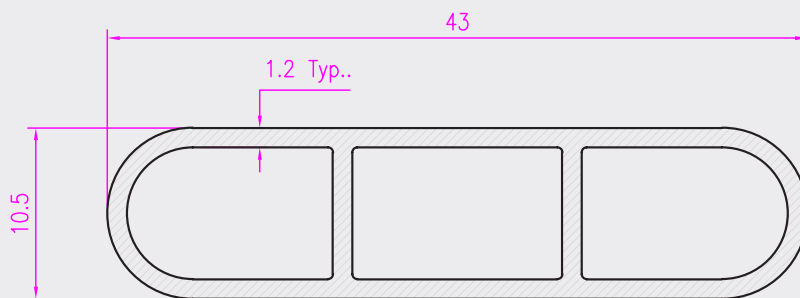
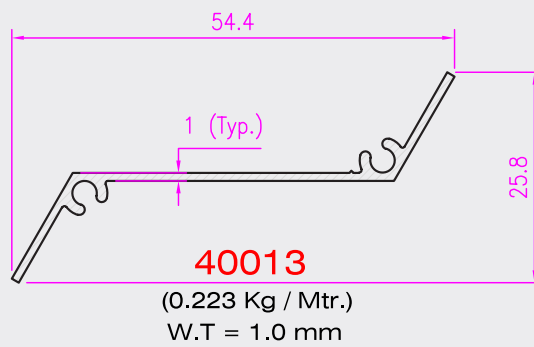
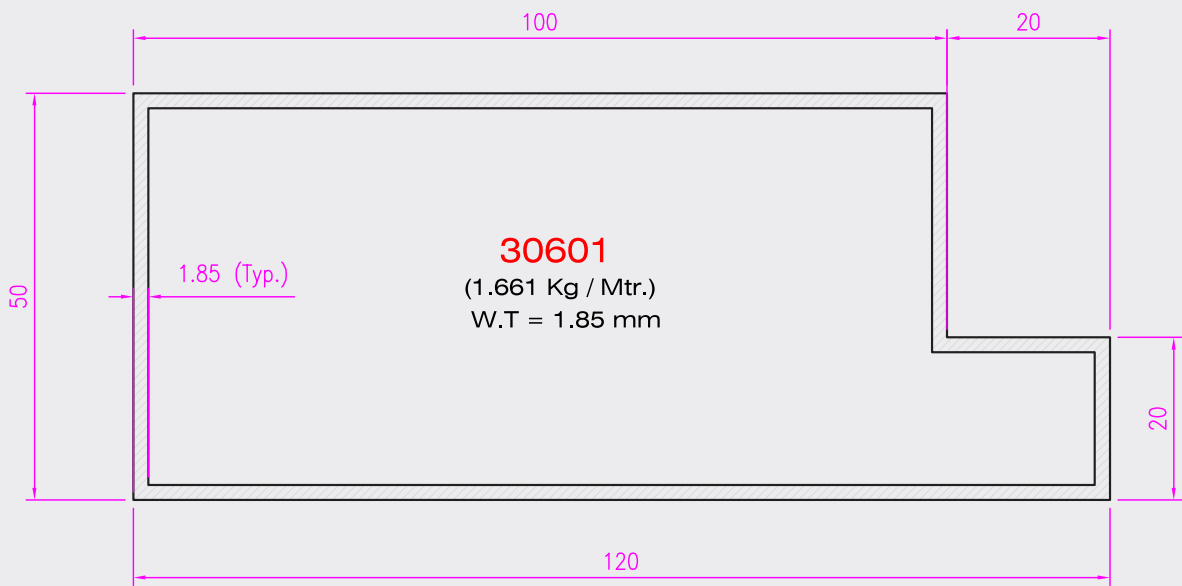


MISCELLANIES PROFILES



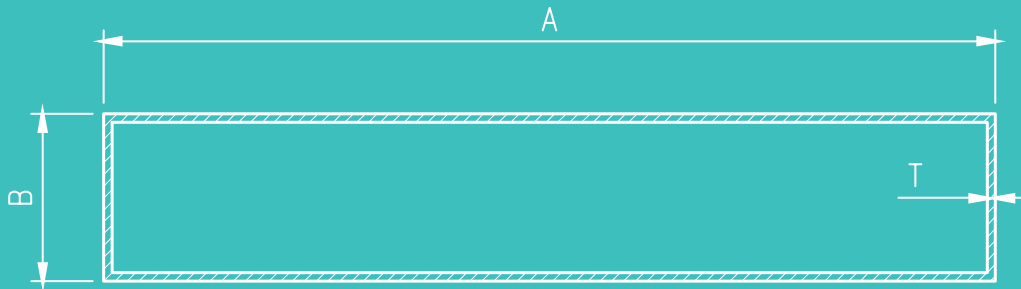
MISCELLANIES PROFILES



STANDARD RECTANGULAR TUBES



STANDARD RECTANGULAR TUBE



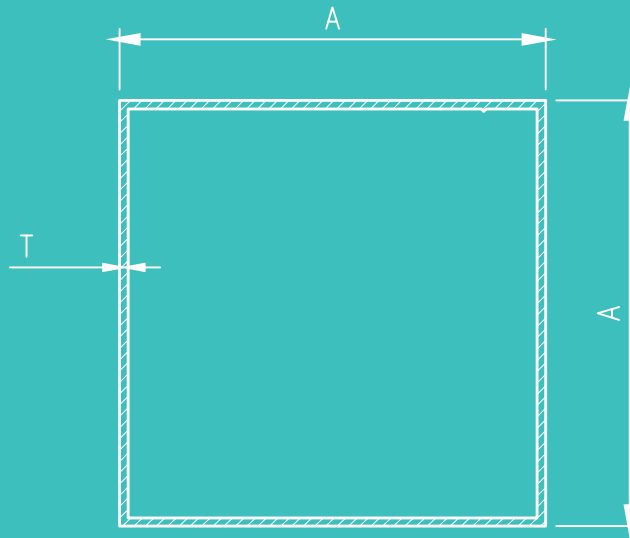
SL.NO	PROFILE NO.	A (mm)	B (mm)	T (mm)	Kg/mtr.
1	30305	220.0	50.0	1.9	2.873
2	30306	200.0	50.0	1.9	2.657
3	30301	100.0	40.0	2.0	1.469
4	30320	80.0	40.0	0.9	0.574
5	30303	80.0	15.0	0.75	0.379
6	30304	78.0	38.0	0.90	0.555

NOTE : NEW SECTIONS ARE ADDED DAY BY DAY. PLEASE CHECK & CONFIRM AVAILABILITY FOR SECTIONS OTHER THAN GIVEN ABOVE

STANDARD SQUARE TUBES



STANDARD SQUARE TUBES



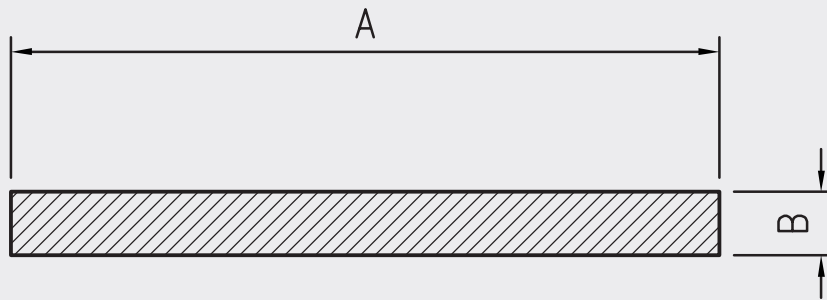
SL.NO	PROFILE NO.	A (mm)	T (mm)	Kg/mtr.
1	30003	50.0	1.8	0.937
2	30004	40.0	1.8	0.743
3	30001	40.0	0.8	0.339
4	30002	20.0	1.3	0.263

NOTE : NEW SECTIONS ARE ADDED DAY BY DAY. PLEASE CHECK & CONFIRM AVAILABILITY FOR SECTIONS OTHER THAN GIVEN ABOVE

STANDARD FLAT BAR



STANDARD FLAT



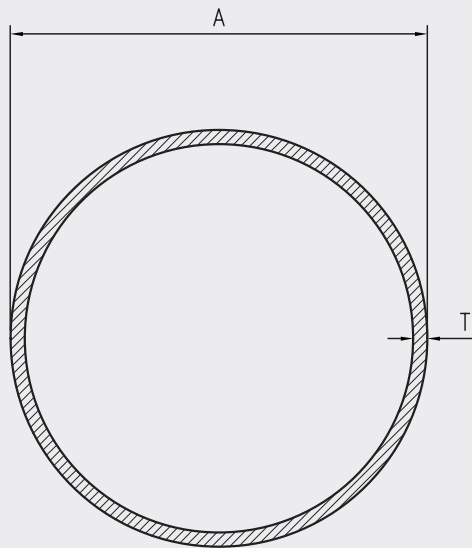
SL.NO	PROFILE NO.	A (mm)	B (mm)	Kg/mtr.
1	10301	150.0	6.0	2.430
2	10309	40.0	4.0	0.432
3	10302	25.0	3.0	0.203
4	10311	20.0	4.0	0.216
5	10303	20.0	3.0	0.162
6	10310	20.0	2.0	0.108

NOTE : NEW SECTIONS ARE ADDED DAY BY DAY. PLEASE CHECK & CONFIRM AVAILABILITY FOR SECTIONS OTHER THAN GIVEN ABOVE

STANDARD ROUND TUBES



ROUND TUBES



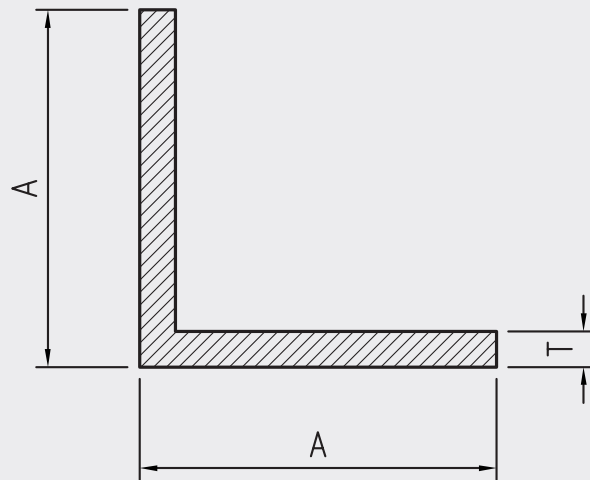
SL.NO	PROFILE NO.	A (mm)	B (mm)	Kg/mtr.
1	20003	88	2.5	1.813
2	20002	60.0	2.5	1.219
2	20001	50.0	1.7	0.696

NOTE : NEW SECTIONS ARE ADDED DAY BY DAY. PLEASE CHECK & CONFIRM AVAILABILITY FOR SECTIONS OTHER THAN GIVEN ABOVE

STANDARD EQUAL ANGLES



STANDARD EQUAL ANGLES



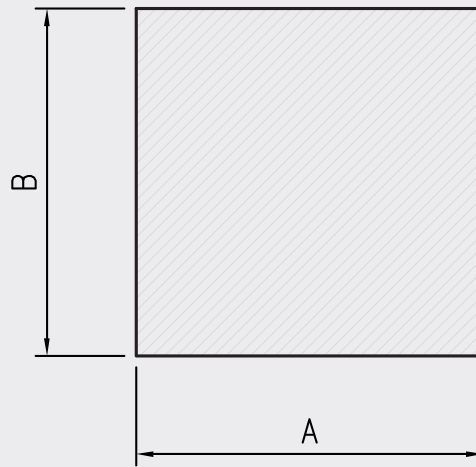
SL.NO	PROFILE NO.	A (mm)	T (mm)	Kg/mtr.
1	10701	40.0	4.0	0.821
2	10702	40.0	3.0	0.624
3	10703	30.0	3.0	0.462
4	10704	30.0	2.5	0.388

NOTE : NEW SECTIONS ARE ADDED DAY BY DAY. PLEASE CHECK & CONFIRM AVAILABILITY FOR SECTIONS OTHER THAN GIVEN ABOVE

STANDARD SQUARE BAR



STANDARD SQUARE BAR



SL.NO	PROFILE NO.	A (mm)	T (mm)	Kg/mtr.
4	1000	8.0	8.0	0.173

NOTE : NEW SECTIONS ARE ADDED DAY BY DAY. PLEASE CHECK & CONFIRM AVAILABILITY FOR SECTIONS OTHER THAN GIVEN ABOVE

Firstmetal[®]

Rabigh Industrial Area Phase 3, Rabigh 21911, Kingdom of Saudi Arabia
Factory Tel: +966 12 636 5252 Fax: +966 12 636 7771 Email: info@fmic.com.sa
Website: www.fmic.com.sa