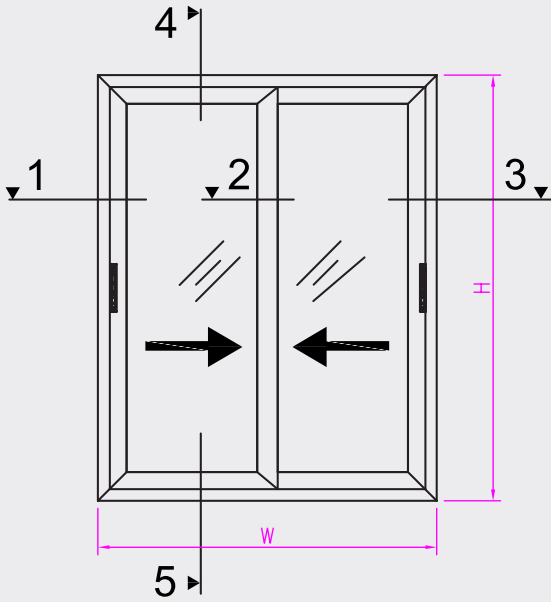


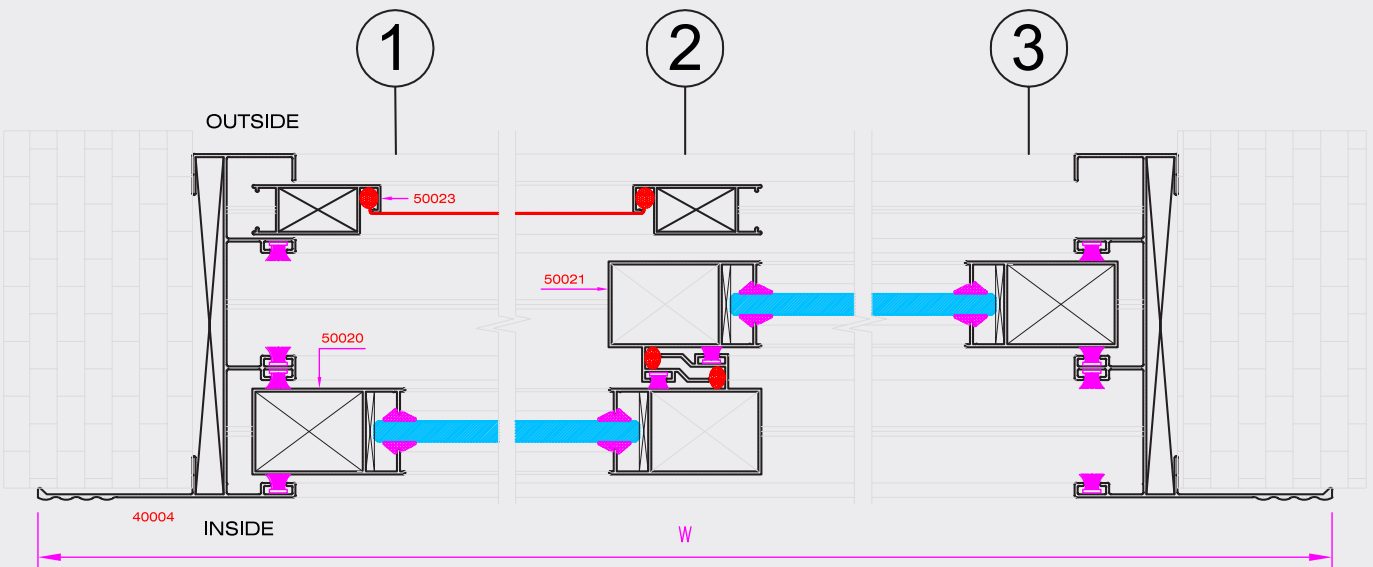
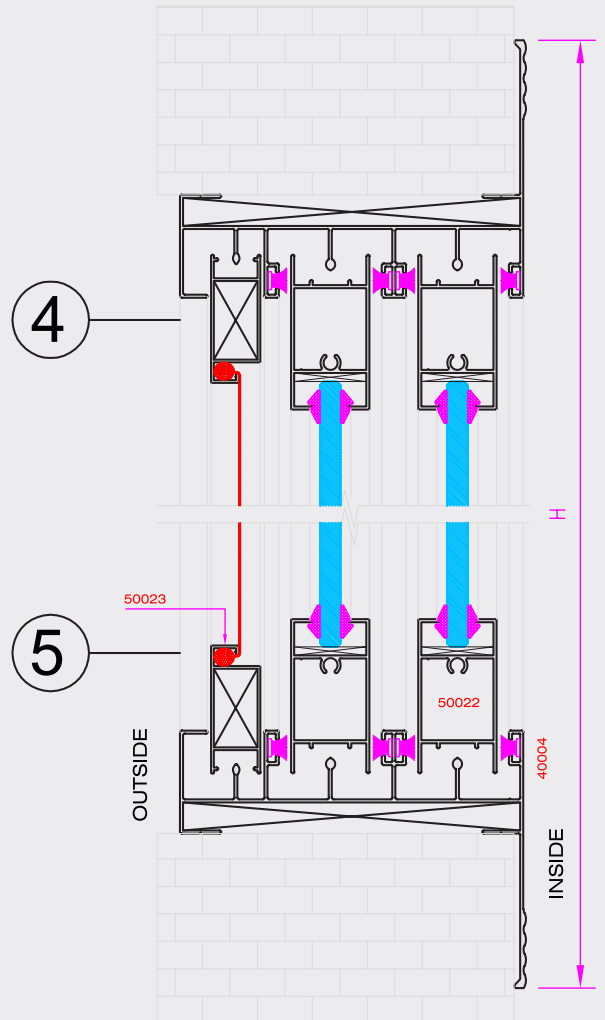
# COMMERCIAL DECORATIVE 100MM CLOSEDSLIDING SERIES(TIJARI)



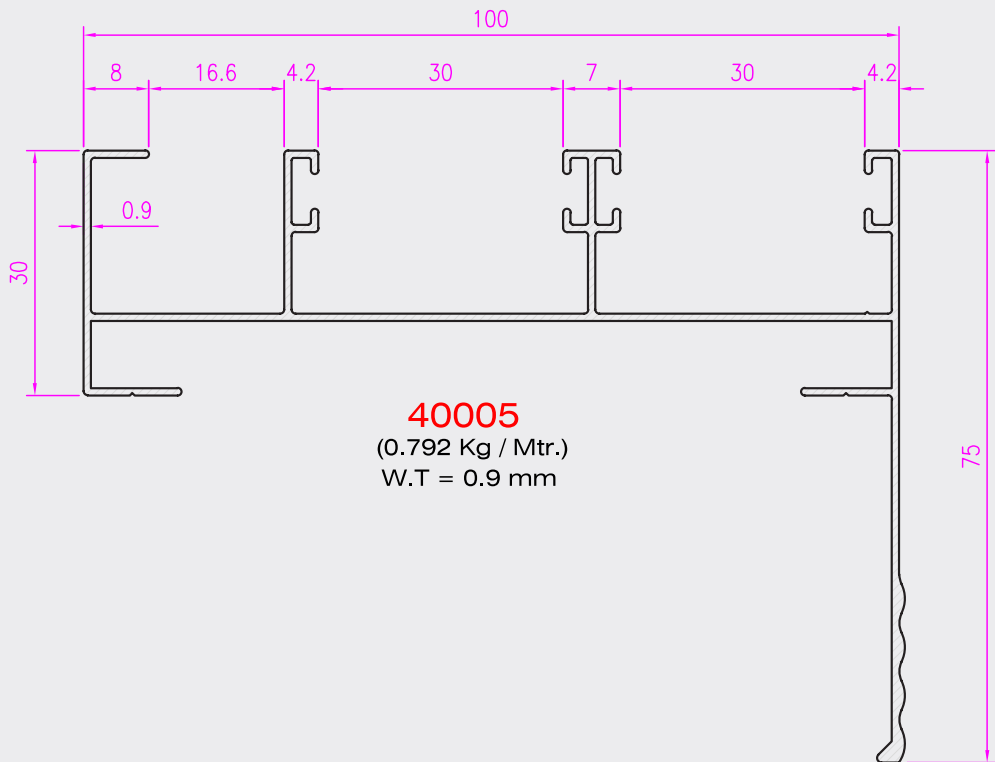
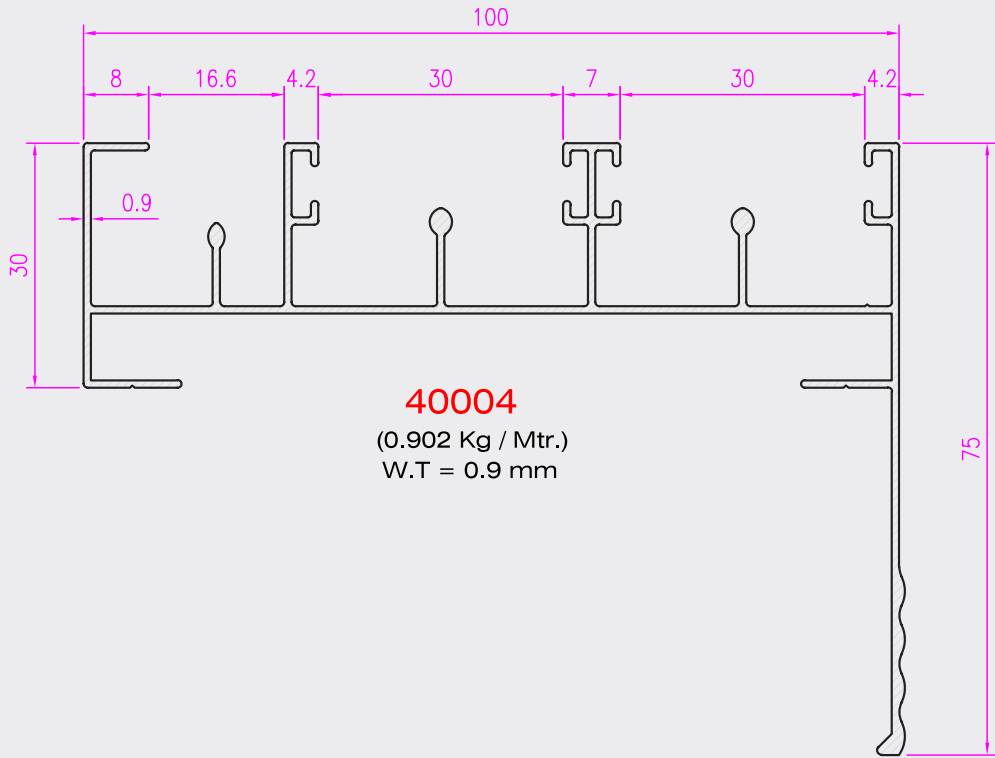
# Commercial Decorative 100mm Sliding System Assembly Drawing



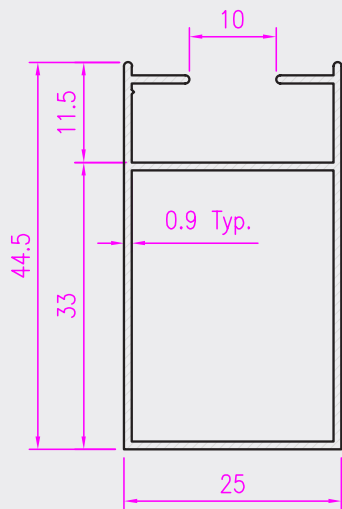
**ELEVATION**  
FROM INSIDE  
6mm SINGLE GLAZING



# Commercial Decorative 100mm Sliding System



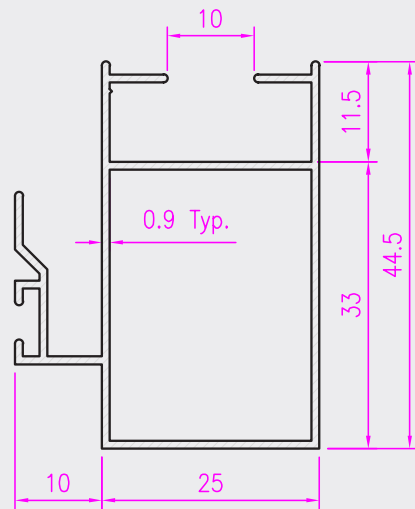
## Commercial Decorative 100mm Sliding System



**50020**

(0.360 Kg / Mtr.)

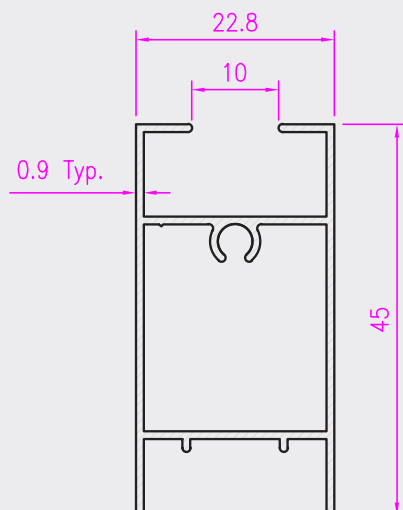
W.T = 0.9 mm



**50021**

(0.450 Kg / Mtr.)

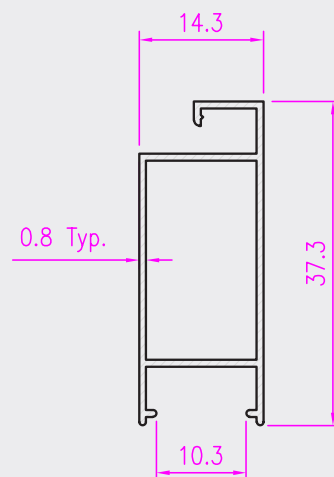
W.T = 0.9 mm



**50022**

(0.378 Kg / Mtr.)

W.T = 0.9 mm



**50023**

(0.227 Kg / Mtr.)

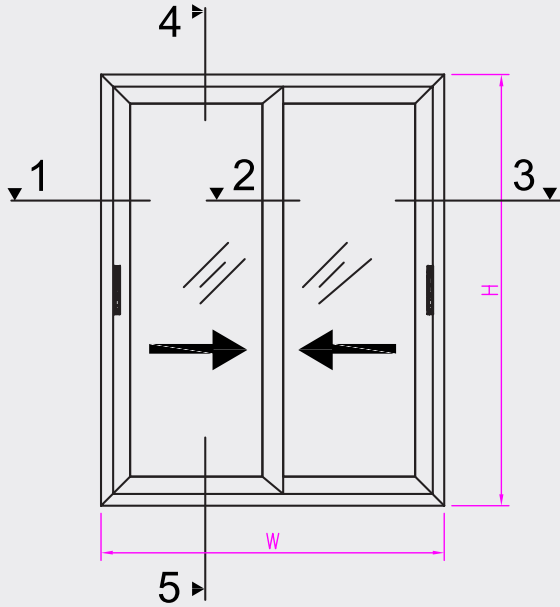
W.T = 0.8 mm

# COMMERCIAL NON DECORATIVE 100MM OPEN SLIDING SERIES(TIJARI)

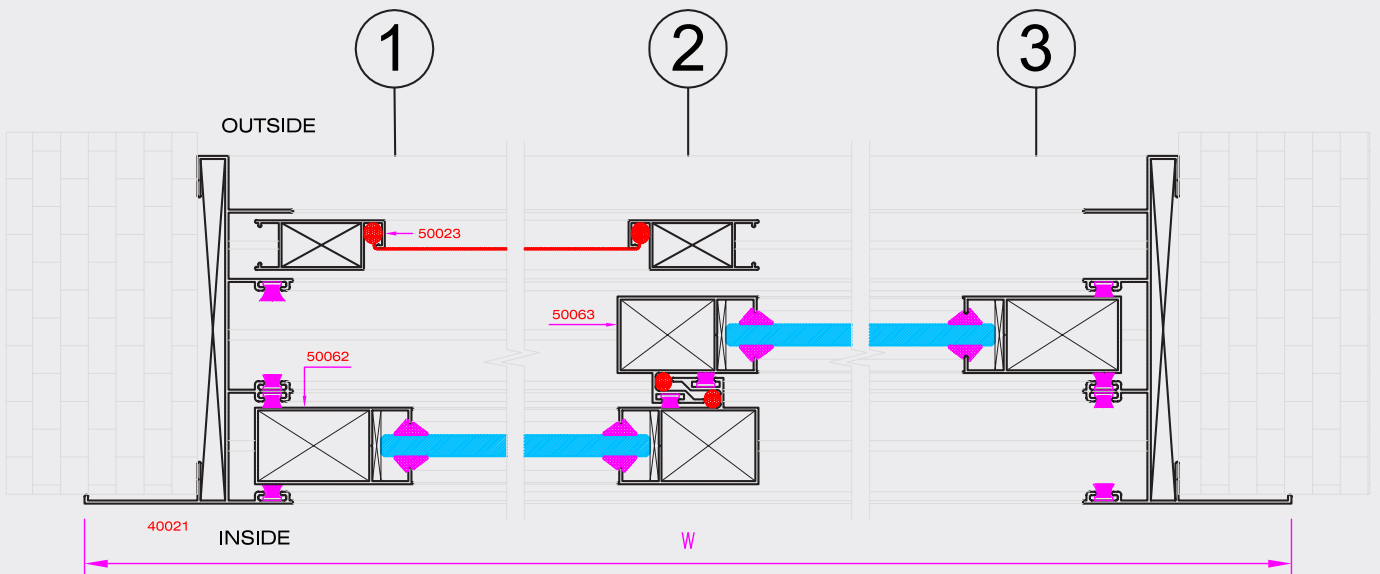
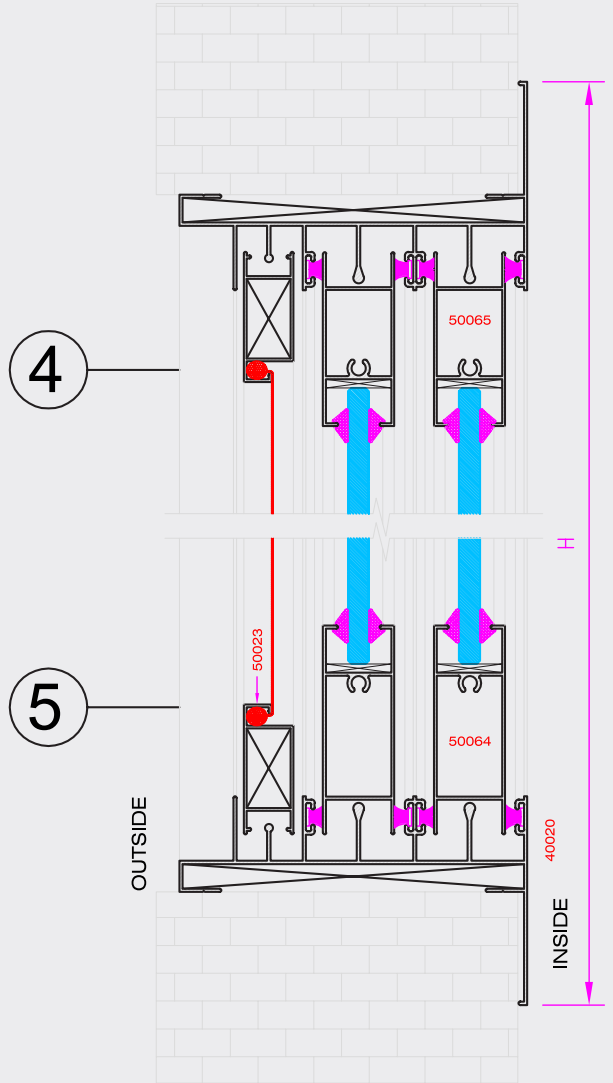




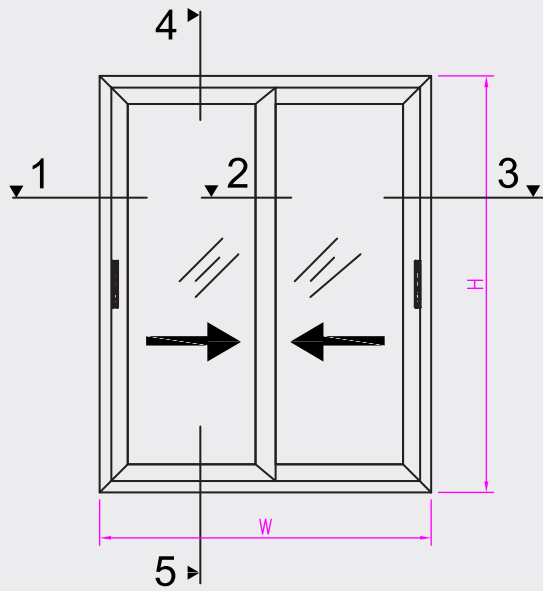
# Commercial Non Decorative 100mm Sliding System Assembly Drawing



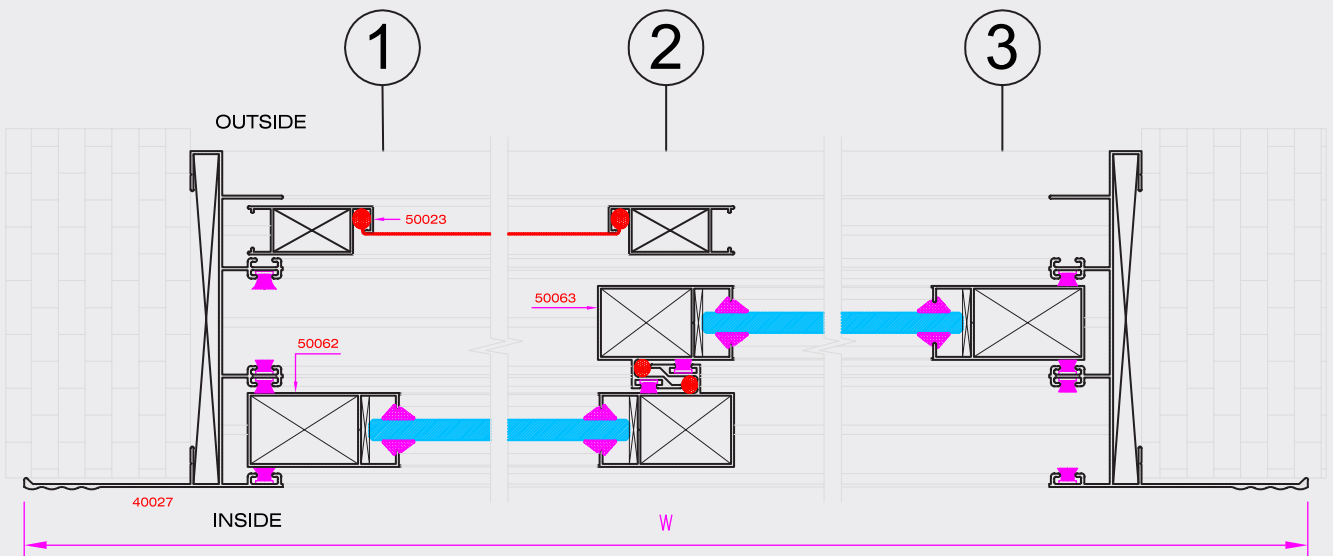
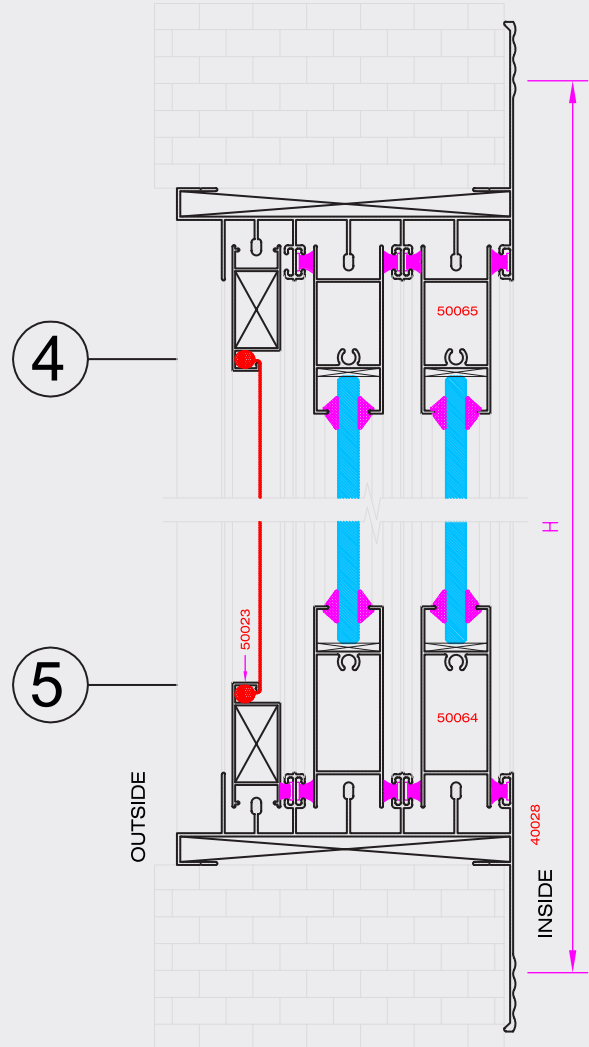
**ELEVATION**  
FROM INSIDE  
6mm SINGLE GLAZING



# Commercial Decorative 100mm Sliding System Assembly Drawing

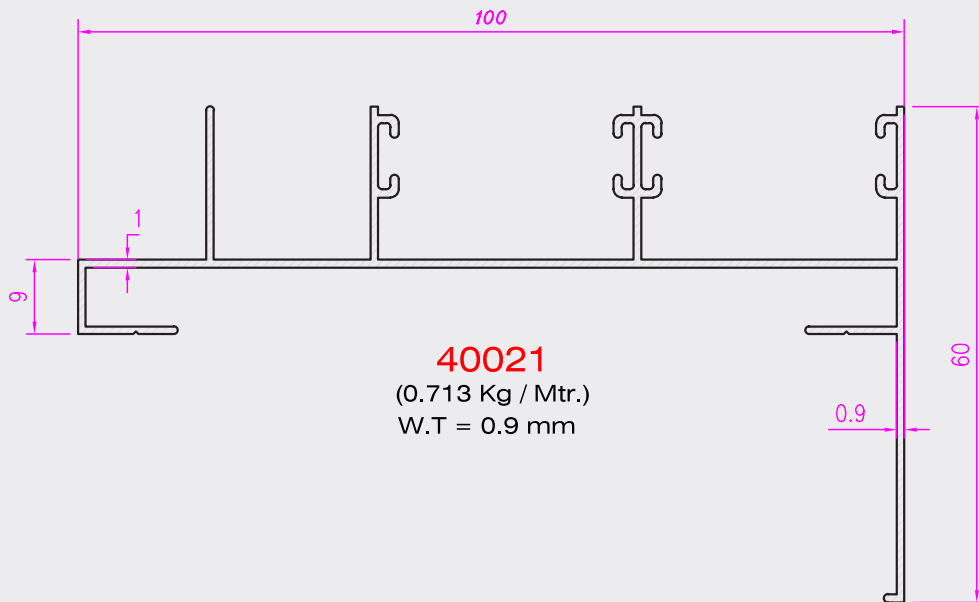
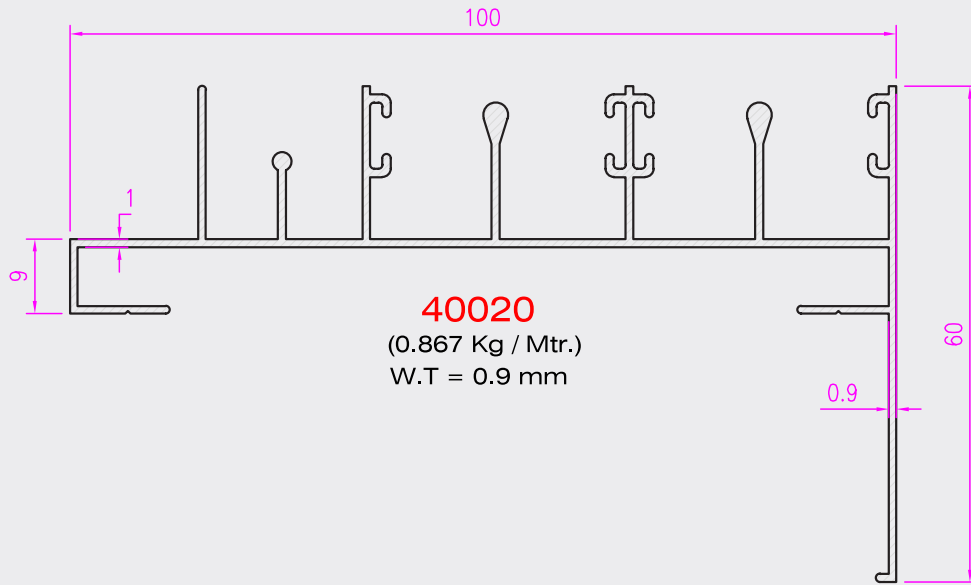


**ELEVATION**  
FROM INSIDE  
6mm SINGLE GLAZING

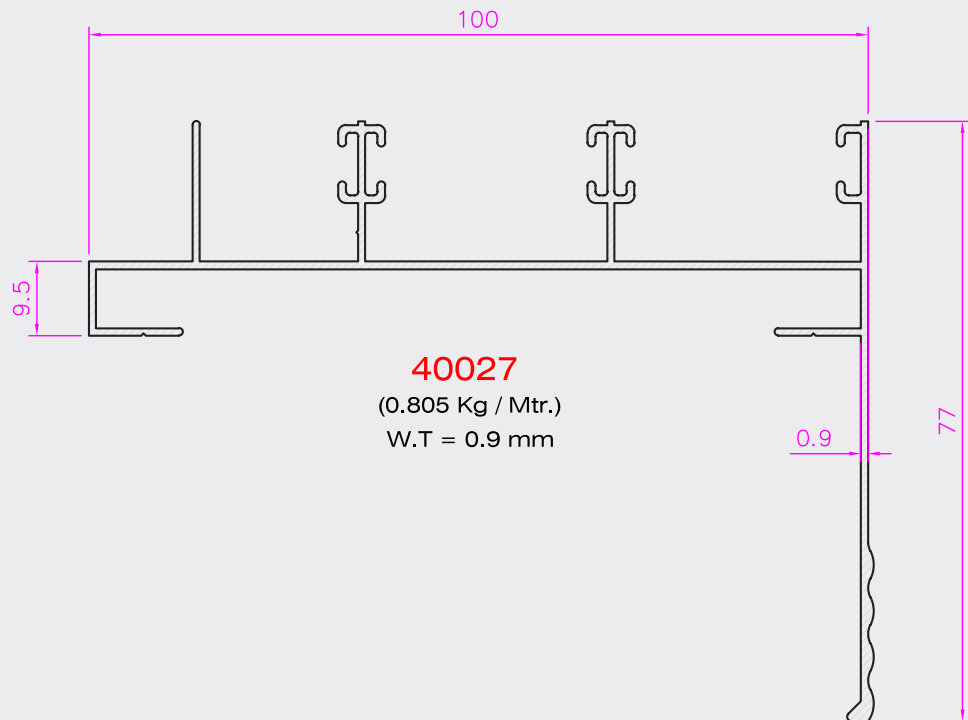
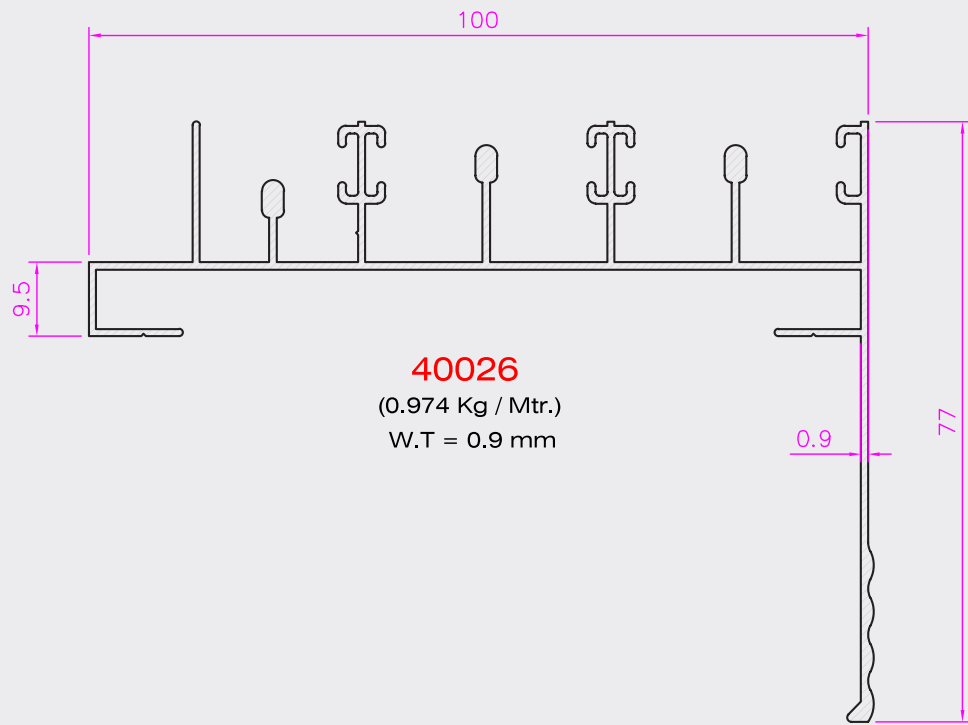




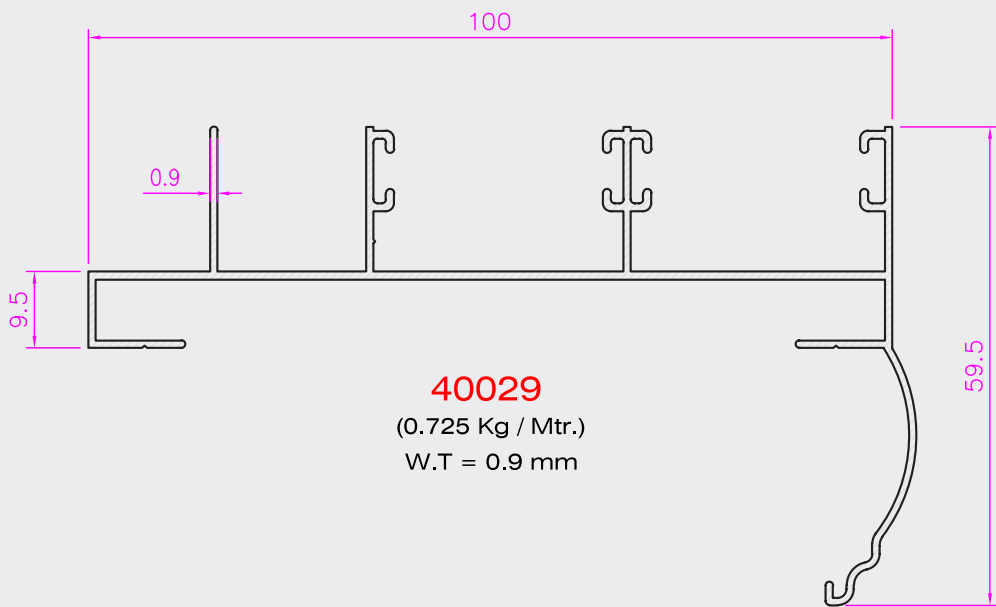
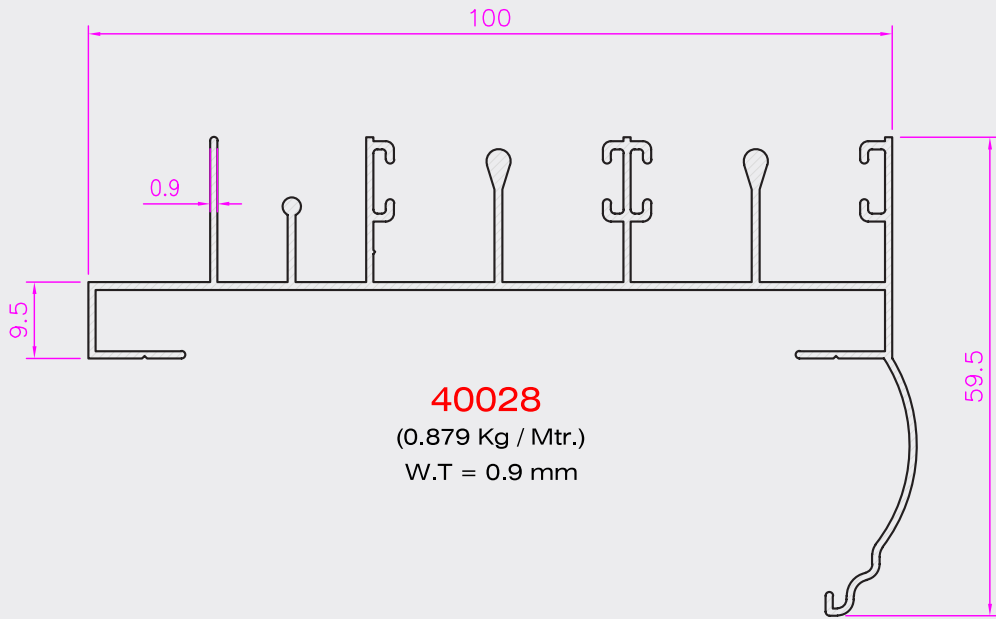
## Commercial Non Decorative 100mm Sliding System



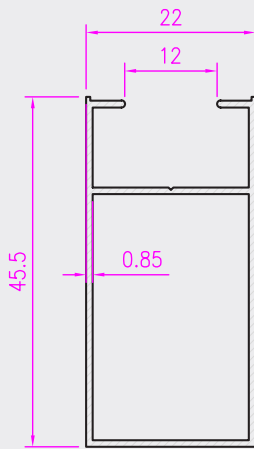
## Commercial Decorative 100mm Sliding System



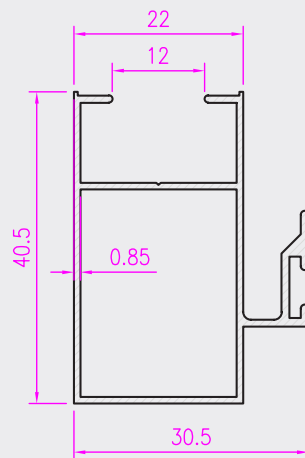
# Commercial Decorative 100mm Sliding System



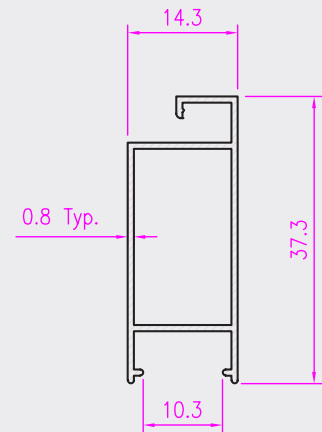
## Commercial Non Decorative 100mm Sliding System



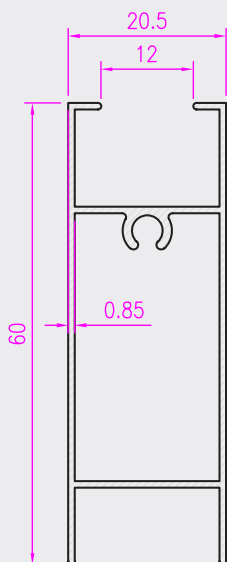
**50062**  
(0.321 Kg / Mtr.)  
W.T = 0.85 mm



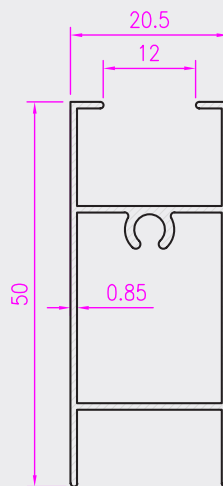
**50063**  
(0.379 Kg / Mtr.)  
W.T = 0.85 mm



**50023**  
(0.227 Kg / Mtr.)  
W.T = 0.8 mm



**50064**  
(0.413 Kg / Mtr.)  
W.T = 0.85 mm



**50065**  
(0.367 Kg / Mtr.)  
W.T = 0.85 mm

**Firstmetal<sup>®</sup>**

Rabigh Industrial Area Phase 3, Rabigh 21911, Kingdom of Saudi Arabia  
Factory Tel: +966 12 636 5252 Fax: +966 12 636 7771 Email: [info@fmic.com.sa](mailto:info@fmic.com.sa)  
Website: [www.fmic.com.sa](http://www.fmic.com.sa)